


PRODUCT SHEET

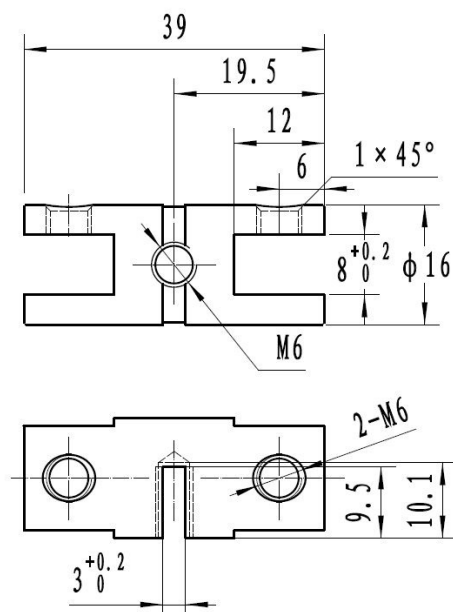
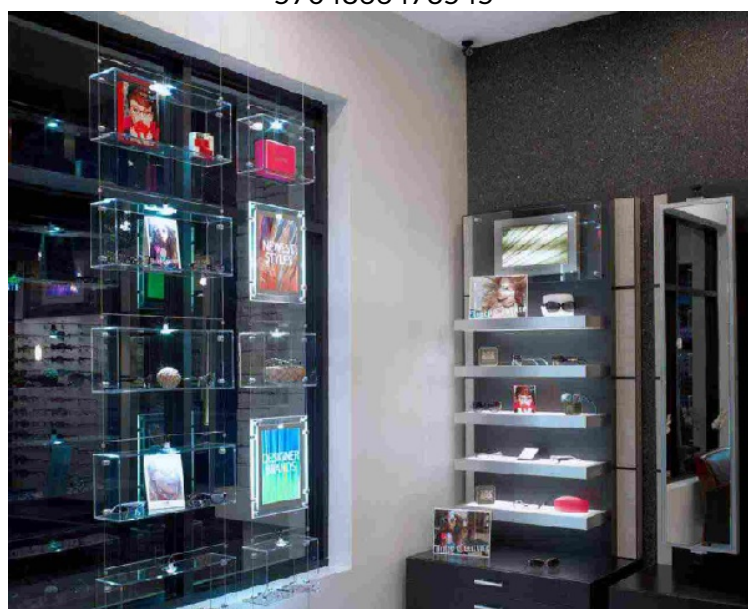
Description:

Cable Shelf Double Holder, Alu Anodized, F/3-8mm Shelves

Item number:

22.12.058-0

Units	Box	Carton	HS Code	Barcode
Pcs.		12	8302490099	
5704866473545				



SISO A/S

Mileparken 11
DK-2740 Skovlunde
Denmark
VAT: DK 24786013

Phone +45 45 830 900

www.siso.dk
siso@siso.dk

Danske Bank
Nytorv Branch
Copenhagen
SWIFT: DABADKKK

Account no.
4180 3112 112936
IBAN Account
DK7230003112112936